

NO. 24

May 1985

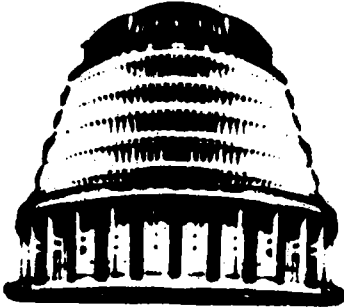
# waikato bee notes

- \* Agriculture Quarantine Service
- \* Gadets from our field day
- \* 1080 possum program
- \* Ideas Southland field day
- \* Boilers - care of
- \* 1/100 km to mpg
- \* Trade Table
- \* Planning for results - objectives and action plans
- \* Questionnaires - emergency service and gorse
- \* Adaption to Davidson mini uncapping machine
- \* ACC
- \* Courses at BOP for 1985
- \* Tecpac honey containers



Ministry of  
Agriculture  
& Fisheries

# Beehive Buzz



Wednesday the 13th of March was a rather eventful day for me. I was attending the NBA executive meeting in Auckland and we were having a round table discussion with the director and regional managers of the Agriculture Quarantine Service (AQS). We had been on a "tiki tour" of the AQS operation at the airport and the fumigation facilities where we were shown a table full of confiscated goodies. Many of the exhibits were honey or bee products including one large plastic Coca Cola bottle of liquid honey from Paraguay.

However, the real bomb-shell was given to us by the Director of AQS at the meeting. It was a summary of interceptions of bee products for 2 months (January and February this year) and really shook me. We all knew that some honey and other bee products would be brought

to NZ by passengers but I don't think any of us were prepared for the real numbers. For example, Auckland intercepted over 300 samples of honey and pollen alone while Christchurch found over 100 consignments.

This fully vindicates the efforts of ASD and your executive in liaising more closely with the AQS Division to "heighten" their awareness of bee products. This increased awareness of our industry has certainly happened.

The next question you're all asking of course is, "How much is getting through the system?" We'll never know but you can all do your bit to spread the word on the dangers of bringing in foreign honey which could contain EFB or AFB spores.

Part of this years pre-conference workshop will be examining this problem. MAF and your executive will be looking at ways of making the public and beekeepers aware of the dangers of bringing in honey or queen bees and how best we can assist the AQS service, customs and the Post Office to assist us.

Many beekeepers unfortunately have tunnel vision. They spend too much time peering into a bee hive or an extractor. Can I suggest you take the kink out of your back for a moment, look beyond your immediate problems, look beyond your district, your country even, and think about broader issues. It's called "contextual thinking" I'm told, and MAF and your executive are doing it all the time!

What if EFB was to gain a foothold in NZ? What are the implications for you or your industry? Here are a few of my thoughts for you to mull over:

- \* Firstly, I couldn't refuse an import permit to bring in foreign honey. Current minimum bulk export prices from Australia are:

White	NZ \$ 1485	tonne
Light Amber	NZ \$ 1426	tonne
Amber	NZ \$ 1338	tonne

Could you compete with \$1.40 kg honey?

- \* EFB responds well to oxytetracycline drug which would probably be issued under licence or even fed to your hives by MAF Staff. This would probably be a chargeable service. If your hives showed AFB then permits for drug feeding would more than likely be withheld in which case EFB, could spread even quicker than usual. Drug feeding doesn't kill AFB only suppresses it. Whatever the procedure there will be an extra cost to purchase and administer the drugs.

\* Exporters to Japan will have to test each line for drug residues at considerable cost. NZ is the only country exempted from this requirement because we do not feed drugs to control the foulbrood diseases.

\* The implications for our exports of bee products or queen bees are not known. We could expect to lose some customers as we did after the chalkbrood exercise.

\* Assuming EFB began, with a localised outbreak could we, or would we, attempt to quarantine a district, a country a province or the north island from the south? The implications for movement of hives, of queen bees, of honey need to be thought about and discussed. Experience in other countries tells us however, that beekeepers look out for number one first and if they "have to" shift diseased hives or queens or honey into a clean area then they will find a way to do so.

\* Experience also tells us that by the time MAF is notified or discovers an exotic disease it is too late for an eradication campaign. We only have to look at our own chalkbrood case, or EFB in Australia or the tracheal mite in the United States. Our first, and best, line of defence are our Agricultural Quarantine Officers. Let's support them.

Phew! That was a long editorial but I wanted to get that off my chest. Sometimes the best way to help your own business is to look after and support someone else. You can do that through your NBA branch affairs and through your executive.

//

### ON BEING AN ACTIVE BRANCH MEMBER



"As the workhorse of the beekeepers' association, I say 'noy'!"

Are you an active member,  
The kind that would be missed ?  
Or are you just contented  
That your name is on the list?  
Do you attend all meetings  
And mingle with the crowd ?  
Or just come from time to time  
Then crab both long and loud ?  
Do you take an active part  
To help the branch along,  
Or are you satisfied to be  
The type to "just belong" ?  
Do you ever give suggestions  
When the branch looks kinda sick,  
Or just leave that up to just a few  
Then talk about the "clique" ?  
And when the program is scheduled  
That means success if done,  
Do you put your shoulder to the wheel  
And work with everyone ?  
So attend your meetings regularly,  
And help with hand and heart,  
Don't be just a member,  
But take an active part.  
Think this over, members  
Are we right or wrong ?  
Are YOU an active member.....  
Or do you "just belong" ?

BEEKEEPER'S FIELD DAY

We had a very good turn-out at our annual field day at Geoff Ernest's. Thanks again Geoff for hosting us, during what was a difficult time for you.

There were some interesting gadgets presented for the shield or just on display, such as

- \* Ray Robinson's queen cell transporting box with built in heaters
- \* Norm Finlay had a hand gun for applying liquid wax to seal foundation in frames
- \* Les Gera demonstrated a nifty clamp for holding 10 assembled frames. The clamp was suspended on a stand with 2 containers of wood preservative. The clamp could be tilted to the left or right when the lugs of the frames would be emersed in the preservative.
- \* The gadget that won the shield was a pair of steel handgrips made by Graham Camell. The grips were used for lifting hives, one lifter per person, and saved that extra bit of bending to get your hands right under the floor boards.

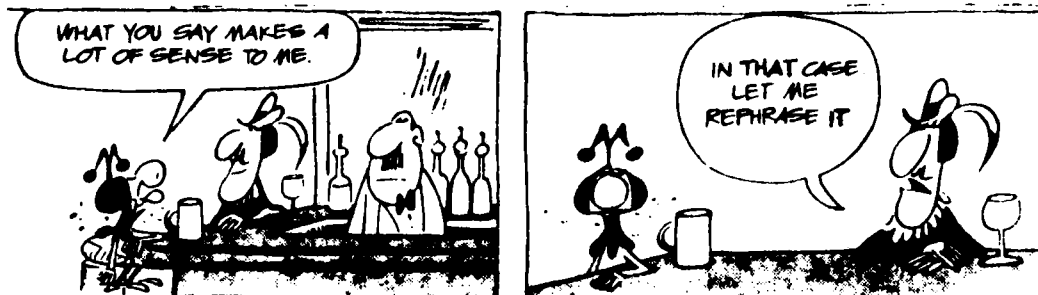
\*\*\*\*\*

The "quote of the field day" award must go to our man Norm. Big Norm was demonstrating his wax applicator handgun ...

"And there you are standing with your thing-a-me Bob in the wax and it's fully loaded ..."

Nice one Norm!

\*\*\*\*\*



1080 PASTE FOR POSSUM CONTROL : KING COUNTRY

Poison jam baits are being laid again this year by Pest Board and Forest Service personnel beginning May 6 through to the end of July. Beekeepers with hives in the Taumarunui county have been notified, but people with hives in the Waitomo or Otorohanga counties are advised to contact the Livestock Officers at the MAF in Te Kuiti. At the time of writing the areas and timing of baiting were not finalised.

\* \* \* \* \*

"A verbal agreement is not worth  
the paper it's written on"

Prime Minister Mr Lange



\* \* \* \* \*

OOPS!

Some corrections to note in my last newsletter number 23. The % District Total ie. the last column in fig. II Page 6 should have read 1.18 and 0.26 total 0.45 (0.3).

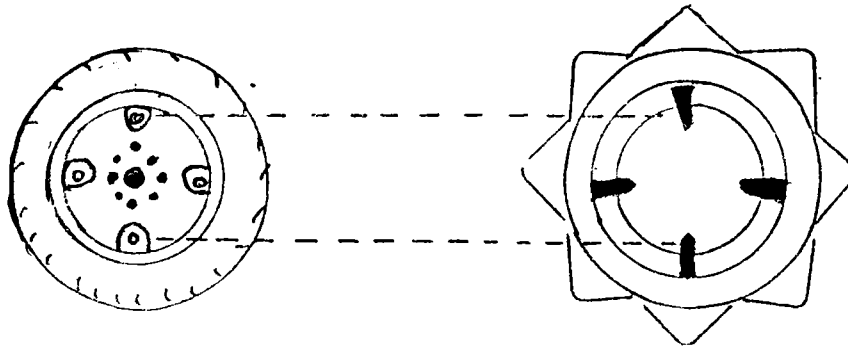
Also the Auckland Drum Co Ltd are now at 33 Maurice Rd Penrose Auckland Box 12126 Penrose, phone 643-777. Your contact is Ross Thomas General Manager.



"I don't normally do this sort of thing, but I've just received my hive levy."

AN IDEA FROM THE SOUTHLAND BEEKEEPERS FIELD DAY :

Southland beekeepers have the Herron trophy (similar to our gadget shield). This years winner was Tony Clissold for his "poor mans 4-wheel drive". Tony welded a set of oversize steel wheels (from an old tractor) which pinned into the back wheel hubs of his 3 tonne truck. Tony drives up onto a board to give ground clearance so the rims can be clipped in place.



Apiary Section Newsletter number 17

ooo 0 ooo

"I used to use cliches like they were going out of fashion, now I avoid them like the plague!"

BOILERS

I was reading recently an interesting article by Laurie Braybrook in the March issue of the Australasian Beekeeper. Laurie is a Senior Apiary Officer in Victoria. In his article he dwelt on the safety aspects of boilers and some of the horrendous explosions that have occurred. He gave a check list of things to do when operating a boiler. I think its timely to remind you of some of them :-

- \* light the fire and open the steam stop valve on the outlet line. These valves are usually close to the boiler. Check the outlet pipes and see if they are warming up. If you're in a hard-water area examine the pipes and valves for mineral build up.
- \* check the pressure relief valve by compressing the spring. See that the pressure gauge is working.

- \* If the water level disappears out of the bottom of the sight glass let the fire run down and the boiler cool off before filling with water. If the water level has gone too high you'll probably lose your head of steam. However, you can check which way the water has gone by using the cock at the bottom of the sight gauge if one is fitted.
- \* Don't let a boiler stand idle with the water level showing in the glass. This means the boiler tubes are half covered and the junction between water and air is where corrosion occurs. Fill the boiler until water floods out of the steam stop valve then shut this valve and turn off the water. You'll need to drain this excess water off when you next use the boiler.
- \* At the end of the day (and before flooding the boiler) open the blow down cock at the bottom of the boiler (if one is fitted) and reduce the water level about 25 mm in the sight glass. This removes the sediment from the boiler.

ooo0ooo

METRIC CONVERSION : MILES PER GALLON TO LITRES PER 100 KILOMETRES

<u>1/100 km=mpg</u>		<u>1/100 km=mpg</u>		<u>1/100 km=mpg</u>		<u>1/100 km=mpg</u>	
5.8	48.8	7.6	37.2	9.4	30.1	11.2	25.3
6	47.2	7.8	36.3	9.6	29.5	11.4	24.8
6.2	45.6	8	35.4	9.8	28.9	11.6	24.4
6.4	44.2	8.2	34.5	10	28.3	11.8	24
6.6	42.9	8.4	33.7	10.2	27.8	12	23.6
6.8	41.6	8.6	32.9	10.4	27.2	12.2	23.2
7	40.4	8.8	32.2	10.6	26.7	12.4	22.9
7.2	39.3	9	31.4	10.8	26.2	12.6	22.5
7.4	38.2	9.2	30.8	11	25.7	12.8	22.1

The formula for this conversion is simple and easy to remember. To convert mile per gallon (mpg) into litres used per 100 kilometres (1/100 km) - or the reverse - divide the one figure into 283 to get the other. It works either way.

---

TRADE TABLE

- \* Laquer lined drums. Ceracell in Auckland have 200 li honey drums for around \$18 each. Phone Stephen Mahon at Auckland 274-7236.
- \* Truck covers. One of our members recommends a Sarlon-Reid product called Poolmesh for a tough, no snag cover for bee hives. He was quoted \$195 for a 5 m x 8 m cover, webbed and with eyelets, back in October 1984. Poolmesh comes in 1.83 m wide rolls and should cost about \$4.30 m. You can get Poolmesh from Sarlon-Reid 59 View Rd Glenfield Auckland Box 33492 ph 444-3802.

- \* Stainless Steel Honey Tank. Double skinned and around 300 gallon size. Call Bryan Evans ph Hamilton 66523.
- \* Pollen Traps. Bryan still has a lot of these for \$10 - or a floor board in exchange. If no-one is interested in the traps soon Bryan will knock them down to make a floor out of them. Seems a bit of a waste.
- \* Chris Lawrence, our peripatetic manufacturer of bee hive woodware, has moved again! This time Chris is located on the corner of Kaihikatea Dve and Greenwood St. Go in through the gate off Kaihikatea Dve and look for a sign saying Kahikatea Coal Supplies. You'll probably see a stack of timber outside Chris's factory.
- \* Sugar Feeders. Both Norm Finlay (Hamilton 79739) and Les Gera (Hamilton 51667) have good stocks of sugar feeders on hand.

\* \* \* \* \*

HOW TO KNOW WHEN YOU'RE GROWING OLDER

*Everything hurts and what doesn't hurt, doesn't work.  
The gleam in your eyes is from the sun hitting your bifocals.  
You feel like the night before, and you haven't been anywhere.  
Your little black book contains only names ending in M.D.  
You get winded playing chess  
You finally reach the top of the ladder, and find it leaning against  
the wrong wall.*

\* \* \* \* \*



PLANNING FOR RESULTS

I extolled the virtues of strategic planning to you in my No. 19 August 1983 Newsletter. Since then your own Executive has formed an Industry plan and I have outlined to you at meetings and our last field day how planning or Management by Objectives was a way MAF had adopted to ensure our limited resources were used most efficiently.



I know a number of you wonder what I do with my time especially if I haven't called in on you for a year or two, or three or ... So, I thought I'd share with you my objectives and over the next few issues of the newsletter I hope to expand on some of these and let you see what "action plans" I have either achieved or hope to achieve in order to meet my objectives. I receive goals from my controlling officer and these are generally concerned with increasing productivity (especially exports) protecting or enhancing bee health, establishing quality assurance programs for export products and offering policy advice. I also have to be concerned with improving my own efficiency as a member of Advisory Services Division as well as that of my staff under me.

Anyway, here are my objectives. Most of these objectives were written in February 1984 but are updated regularly.

1. Adoption of MAF bee health management \*package, by all registered beekeepers by July 1986.
  - \* Fulfill statutory requirements.
  - \* Increase awareness of bee diseases and control measures.
  - \* Awareness of Emergency Response Procedures (ERP)
2. Increase efficiency of honey and queen bee certifying procedures to 100% by December 31 1986.
3. Gain access to US market for New Zealand queen bees by February 1987.
4. Adoption of management plan, by Director ASD, to maintain high bee health status by December 31 1985, according to \*pre-determined criteria.
  - \* Apiaries Act 1969, Agric. Quarantine Services manual, ERP Procedures.
5. Gain access to Canadian market for New Zealand package bees by December 31 1985.
6. For five beekeepers to adopt a MAF \*management system by June 30 1986.
  - \* Financial budgeting, queen replacement, feed budgeting, market diversification.
7. All HAOs, FAO (Special Duties), FAO (Ag Eng) Hamilton region to achieve 75% of their negotiated objectives by 31 December 1986.
8. To acquire three new skills by December 1985. Management by Objectives, Apiary Register Programme, manager skills .
9. Maintain personal and staff expenditure to within 3% of \*allocated budget for financial year 1985/86.
  - \* Allocation adjustments may be negotiated during the period.
10. Produce district monitoring report, according to national standard, by December 31 1985.

I hope that wasn't too boring for you to read. Let's take the first objective and see how I plan to achieve it.

Objective : Adoption of MAF bee health management \*package by all registered beekeepers by July 1985.

- \* fulfill statutory requirements (registrations, return of statement of inspection forms, disease notification etc)
- \* Increase awareness of bee disease and control measures
- \* Awareness of Emergency Response Procedures (ERP)

Major Actions	Target Completion Date	Completed
* place apiary register on computer	August 1984	✓
* distribute colour aglink on bee diseases	September 1984	✓
* redefine apiary inspection boundaries on computer	February 1985	✓
* publish disease statistics in Bee Notes plus MAF costs to administer disease program	Feb-Aug 1985	✓
* Update Agric. Quarantine Manual	May 1985	✓
* Address beekeepers Field day on bee disease	Mar-Apr 1985	✓
* Obtain allocation for part-time apiary inspection for 1985/86	April 1985	✓
* Hobbyist clubs and Waikato Technical Inst. lecture series - show disease film and examples of AFB	Aug 1985	✓
* Training days for inspectors (4)	Sept-Oct 1985	
* Draft annual report form for apiary staff - all staff to use	May 1985	✓
* Colour poster on pesticide damage	August 1985	
* Workshop on ERP	July-August 1986	
* Inspect 10% apiaries (plus PTI's)	March 1986	
* Offer microscope analysis for AFB	July 1985	

Let's look at one more, the objective to "Gain access to Canadian markets for NZ package bees by December 31 1985". This is an objective I began working on back in 1974, and reactivated last year. However, events overtook me somewhat late in February when an importer from Canada came out here at my urging to purchase some packages.

He now has his packages, all 3500 of them plus extra queens. A truly remarkable achievement by the three beekeeping companies involved and a story worth telling at a meeting sometime. Anyway my action plans look like this.

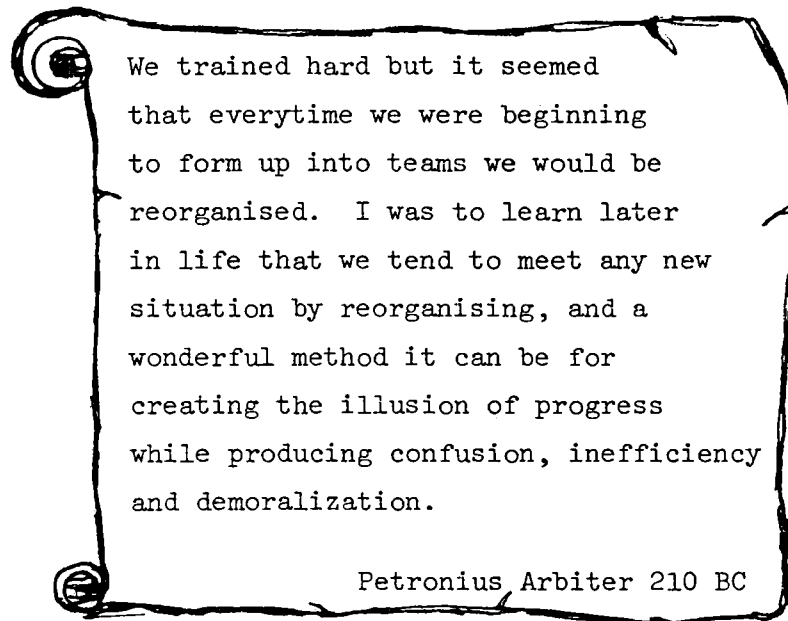
Major Actions	Target Completion date	Completed
* assist industry to establish a broker/ agent in NZ and Canada	January 1985	✓
* assist beekeepers with costing	March 1985	
* feasibility study on economics/ practicalities of producing packages for export	June 1985	
* quality assurance parameters and industry code of ethics for queen breeders and package bee producers	December 1985	
* Develop export certification with Ag Canada	December 1985	✓
* negotiate transshipment rights with Australia and United States	December 1985	✓
* Field day on package bee production	October 1985	



QUESTIONAIRES

I've enclosed a questionnaire on emergency assistance that I, and the NBA branch would like your help with. Please fill in the form if you feel you can help and return to me as soon as possible.

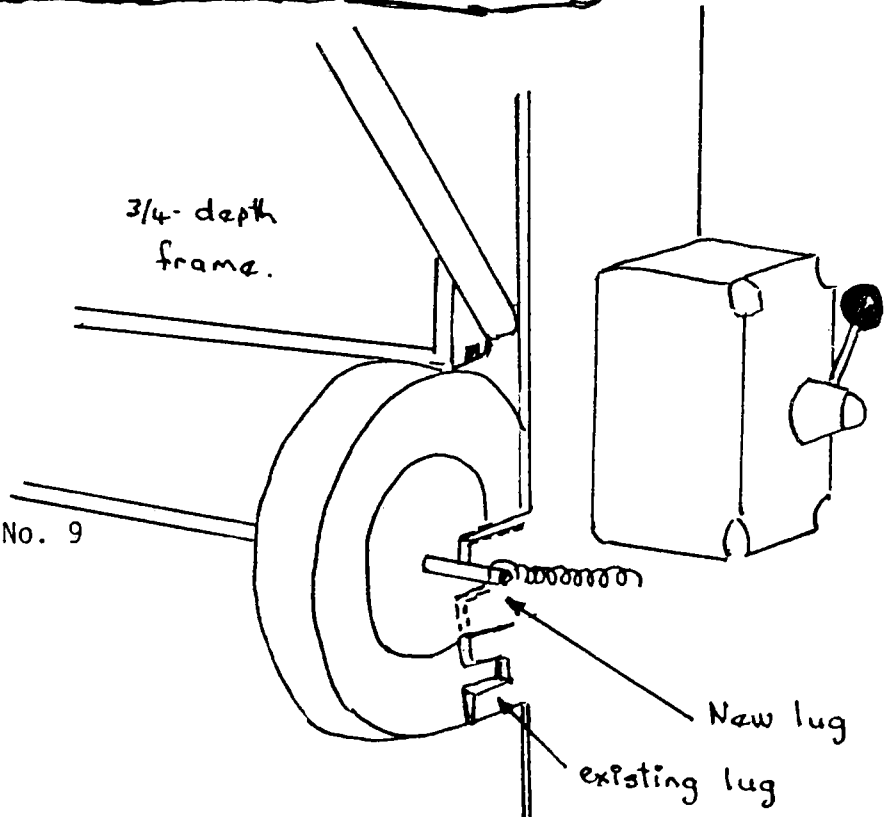
The other questionnaire you should have received is one on gorse. Please fill this in and return it to Lincoln College as requested. I know many of the questions will be difficult to answer. However, this will be your one and only chance to put a value on gorse from a beekeepers viewpoint. Once the biological control agents are released (if they are released that is) it will be too late for you to do anything about it then. So, make your feelings known now!



DAVIDSON MINI-UNCAPPER'S  
& 3/4 - DEPTH FRAMES

Here's a helpful suggestion for modifying your mini to stop 3/4 - depth frames from popping out of alignment. Simply weld on a second set of lugs so the wheel assembly can be re-positioned.

Apiary Section Newsletter No. 9



Some thoughts for these inflationary times.

"No wonder we're all dizzy - with revolving credit, spiralling prices, soaring taxes and escalating wages".

"My wife finally broke a 100 last week - not on the golf course, in the supermarket".

"The only thing free of charge is a run down battery".

"Passing the buck is hardly worth it".

\* \* \* \* \*

#### ACCIDENT COMPENSATION AND THE SELF EMPLOYED

You all know of ACC because you are levied each year by the corporation. However, it worries me that some of you might not have thought enough about the "what if something happens to me", situation. If you had a serious accident tomorrow do you know where to go for help, how much money you could expect from the ACC and so on?

Well, to answer the first question the AFC are located at 56 - 67 Rostrevor Street, Hamilton Ph 82 795 but as for the second? Well where to start? Self-employed are regarded as employees for the purpose of the ACC Act even if you operate as a company but here's the crunch point. The ACC regards earnings as your share of your companies profit. The drawings you take from the business are not earnings.

Many businesses make no book profit for a number of years so what to do. Well if you are a company you could declare a regular wage to the IRD or take out private insurance to cover the initial years. If trading as an individual you could opt for one of the two schemes administered by the ACC.

##### (1) Minimum Relevant Earnings Scheme

This scheme sets a minimum relevant earnings of \$5200 per year (\$1000 week). Payment is made at 80% of this ie. \$80 week.

##### (ii) Optional Scheme

This is based on a set figure announced each year by the ACC and is usually taken as the average ordinary-time weekly wage. This is \$284/week or \$14768/year and would cost you \$113.98/year in levies. You must apply annually to stay in this scheme using forms from the IRD or in your IR3 tax return form. Applications must be lodged with the IRD by 7 March each year. Remember these 2 schemes are not for companies.

Talk to your accountant about how well you are covered. The ACC also puts out a booklet "Compensation for the Self-Employed" which I suggest you obtain.



\*\*\*\*\*

"A decision is the action an executive must take when he has information so incomplete that the answer does not suggest itself"

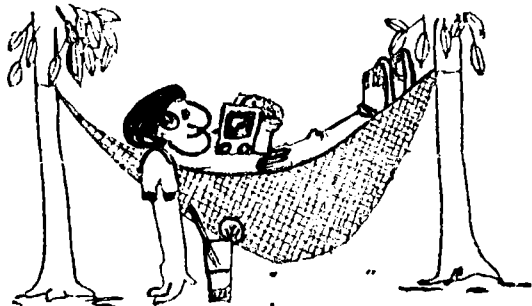
A W Radford

\*\*\*\*\*

Recent newspaper reports have noted that as from July 1 1985 import licencing will be removed from honey and beeswax. Tariffs (20%) remain for imports from most countries except Australia and the Pacific Islands. However, the MAF still prohibits all honey and wax imports unless under permit. So the status quo remains.

COURSES COMING UP AT BOP COLLEGE : 1985

June 4 - 5 Honey Bee Diseases



For more experienced beekeepers to look at AFB, Nosema and chalkbrood as well as exotics viz EFB and mites and viruses. We also want to talk about our emergency response procedures as well as breeding for disease resistance. Tutors will be myself, Trevor Bryant, Nick Wallingford and our new bee pathologist Dr Dennis Anderson.

June 17 - 19 Management by Objectives for Beekeepers

July 9 - 12 Expanding into Commercial Beekeeping

August 28 - 29 Queen Bee Production

You can obtain more information on these courses from Trevor Bryant MAF Tauranga ph 82-069. Course fees are about \$15/day and you will need to find your own accommodation.

MAF MEN IN MOTION!

Following a quick game of musical desks our apiary section is settling down again. Cliff Van Eaton has now moved from Gore to Whangarei, Clive Vardy has taken up his position in Gore, and Mark Schrader is now in Oamaru. That just leaves Palmerston North we've done the job interviews and made a recommendation to the State Services Commission. Hopefully I can tell you in the next newsletter whether we have been successful or not in attracting the man we want to our section. Dr Dennis Anderson is now at the DSIR Mt Albert Auckland ready to start work on bee diseases.

Canadian beekeepers are being hit hard by low prices, well low relative to previous years anyway. Current prices are 45-48c lb compared to 60c lb 2 years ago.

NEW HONEY CONTAINER

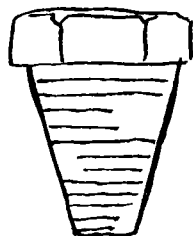
TecPak in Dunedin have a new range of plastic pots on the market with a very good fitting lid, almost guaranteed not to come off accidentally.

Natural White (per 1000)	100 to 900	1000 to 9900	10,000 to 49,900
380 ml (500 gm)	117.00	112.00	107.00
750 ml	117.70	172.70	170.70
380 ml lid	45.20	40.50	35.20
750 ml lid	54.00	49.00	46.00

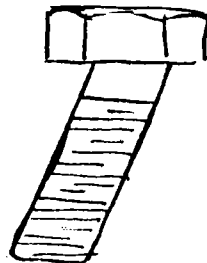
Minimum 3000 containers. Art work \$15.00 (once only) plus \$10 for a plate.

I'll bring some of the cartons to the next NBA meeting. Tom Begg, the Director of TecPak Plastics Ltd (Box 713 Dunedin ph 30-691) plans to be at conference with his new range of containers.

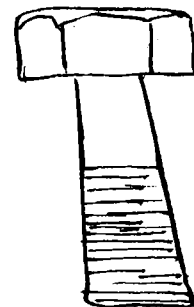
**MORE BOLTS FOR JOLTS!**



FOR TAPERED HOLES.



FOR HOLES NOT SQUARE



(Hard to start,  
but then  
threads  
easily)

FOR HOLES DRILLED STRAIGHT  
THEN CROOKED.

Time to go. This little poem caught my eye in a Commission for the Environment Newsletter 1984:3 and is appropriate perhaps for these times of GST, perks taxes, budgets, inflation etc etc.

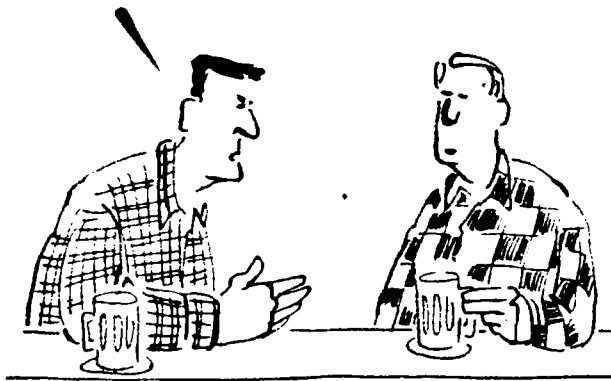
"Planners! No matter how you fudge it  
A plan's no good without a budget,  
And budgets don't grow very well  
without the power to tax or sell"

cheers

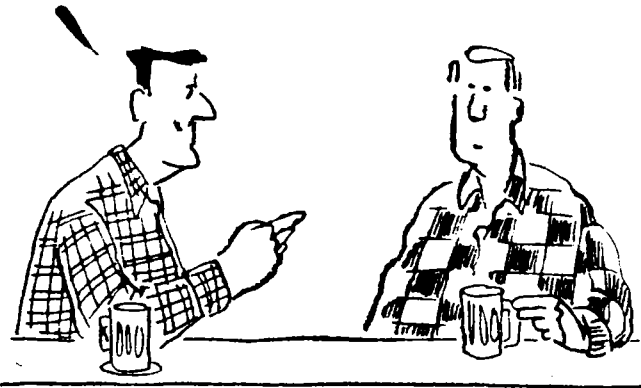
Murray Reid

"K.E.B"

I DON'T UNDERSTAND YOUR  
SUPPORT FOR **LANGE**



HIS FOREIGN POLICY IS LIKELY  
TO LEAD US INTO WAR...



AND HIS ECONOMIC PLANS ARE GOING  
TO LEAD TO ANOTHER RECESSION



THAT'S WHAT **NZ.** NEEDS  
A LEADER



WASSERMAN  
© 1984 LOS ANGELES TIMES SYNDICATE